

SUN2000-110KTL-M0

Smart String Inverter



Smart I-V Curve
Diagnosis Supported



String-level
Management



98.6%
Max. Efficiency



Surge Arresters
for DC & AC



Fuse Free
Design



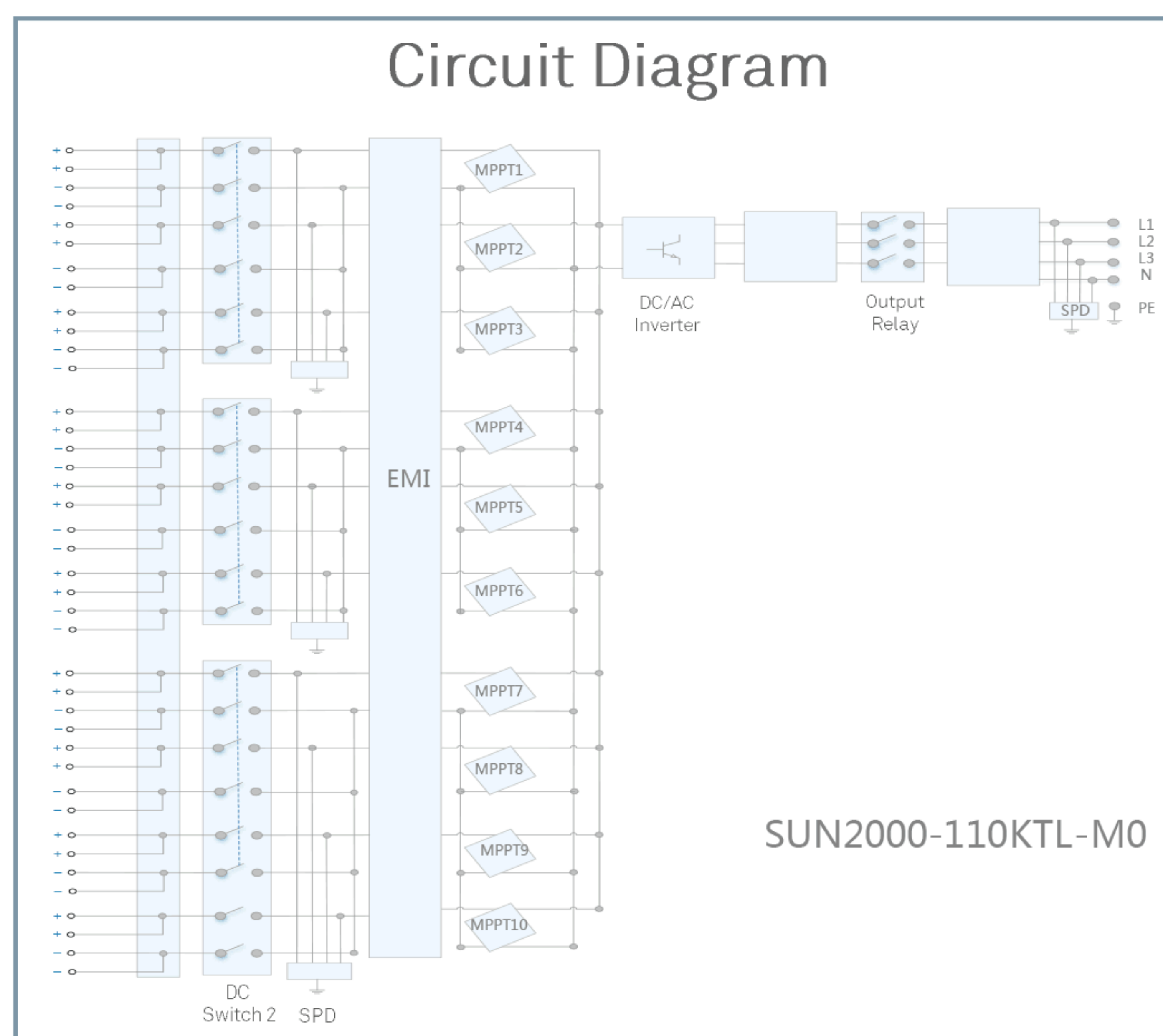
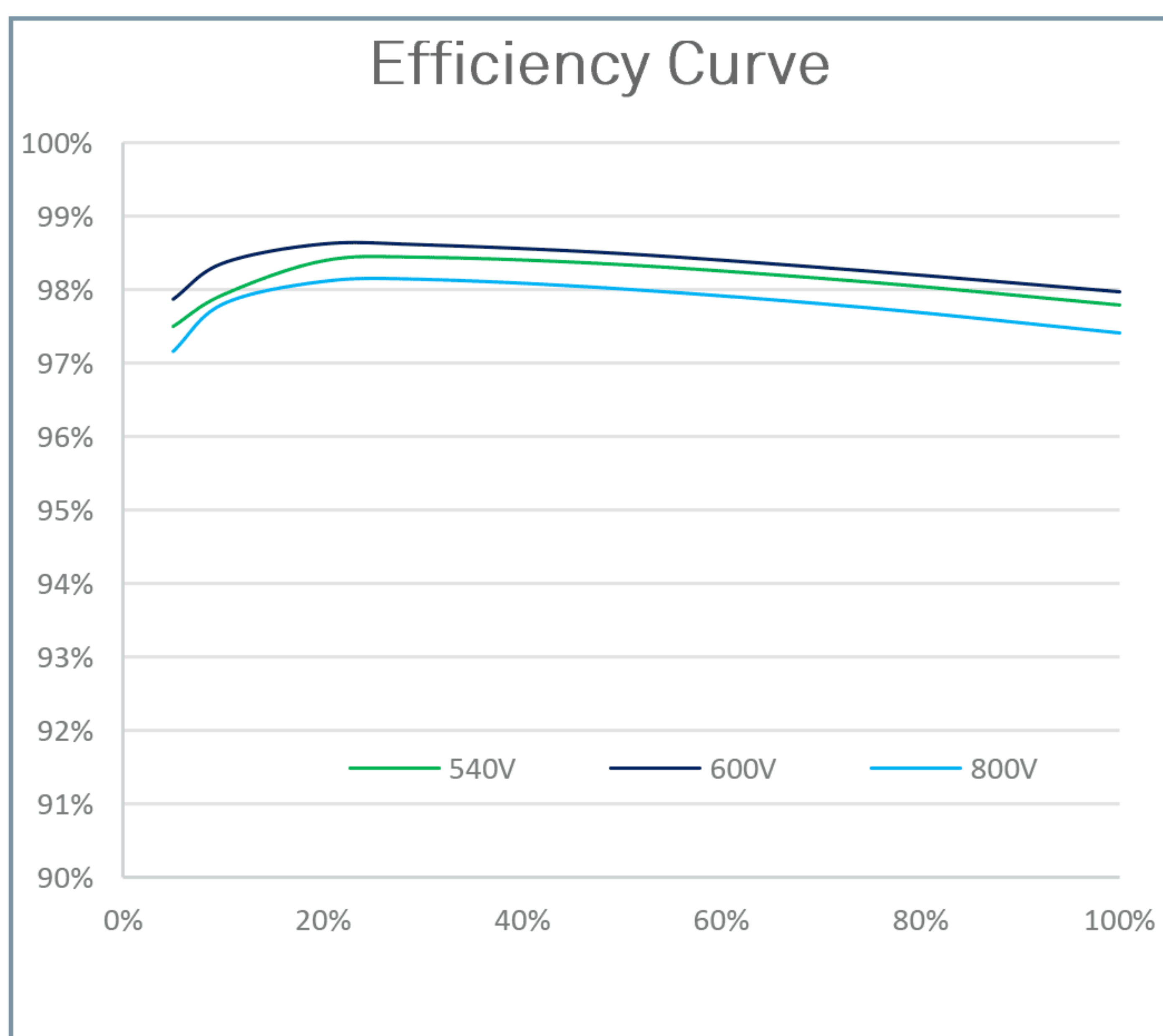
Residual Current
Monitoring Integrated



IP65
Protection



MBUS Supported



SUN2000-110KTL-M0

Technical Specifications

| Efficiency | |
|-------------------------------------|---|
| Max. Efficiency | 98.6% |
| Chinese Efficiency | 98.1% |
| Input | |
| Max. Input Voltage | 1,100 V |
| Max. Current per MPPT | 26 A |
| Max. Short Circuit Current per MPPT | 40 A |
| MPPT Operating Voltage Range | 200 V ~ 1,000 V |
| Rated Input Voltage | 600 V |
| Number of Inputs | 20 |
| Number of MPP Trackers | 10 |
| Output | |
| Rated AC Active Power | 110,000 W |
| Max. AC Apparent Power | 121,000 VA |
| Max. AC Active Power (cosφ=1) | 121,000 W |
| Rated Output Voltage | 3 × 220 V/380 V, 3 × 230 V/400 V, 3W+N+PE |
| Rated AC Grid Frequency | 50 Hz |
| Rated Output Current | 167.2A (380Vac) , 158.8A (400Vac) |
| Max. Output Current | 185.7A (380Vac) , 176.4A (400Vac) |
| Adjustable Power Factor Range | 0.8 超前 ... 0.8 滞后 |
| Max. Total Harmonic Distortion | < 3% |
| Protection | |
| Input-side Disconnection Device | Yes |
| Anti-islanding Protection | Yes |
| AC Overcurrent Protection | Yes |
| DC Reverse-polarity Protection | Yes |
| PV-array String Fault Monitoring | Yes |
| DC Surge Arrester | Type II |
| AC Surge Arrester | Type II |
| DC Insulation Resistance Detection | Yes |
| Residual Current Monitoring Unit | Yes |
| Communication | |
| Display | LED Indicators, Bluetooth + APP |
| RS485 | Yes |
| USB | Yes |
| MBUS | Yes |
| General | |
| Dimensions (W x H x D) | 1,035 x 700 x 365 mm |
| Weight (with mounting plate)) | 85 kg |
| Operating Temperature Range | -25°C ~ 60°C |
| Cooling Method | Natural Convection |
| Max. Operating Altitude | 5,000 m (> 4,000 m降额) |
| Relative Humidity | 0 ~ 100% |
| DC Connector | Amphenol HH4 |
| AC Connector | OT端子 |
| Protection Degree | IP65 |
| Topology | Transformerless |